

# Single Phase Hybrid Inverter

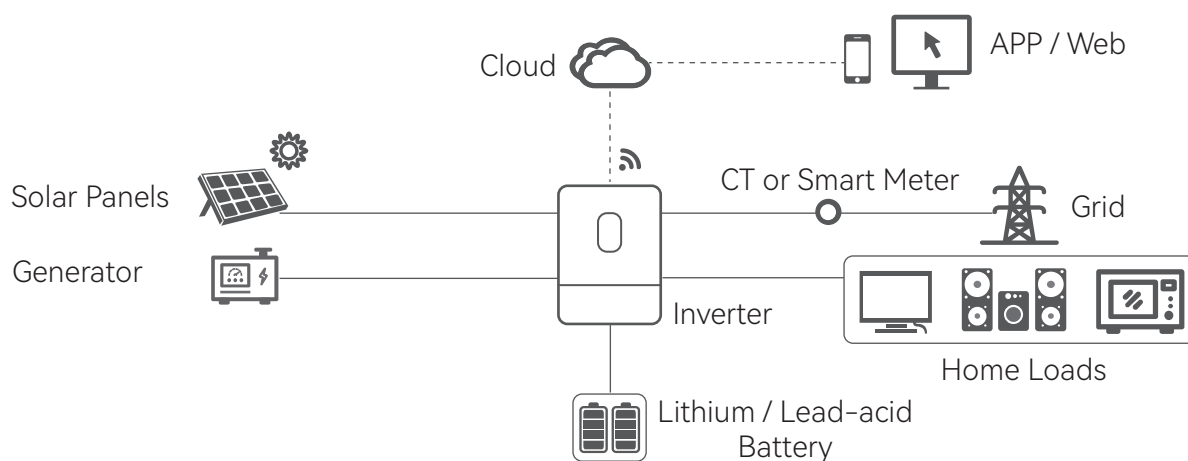


HN3KS  
HN3K6S  
HN4KS  
HN5KS  
HN6KS

- Wide MPPT Range
- 2 MPP trackers
- Type III SPD both on DC&AC side
- 19A MPPT input current per string
- IP66 protection level
- Integrated and concise design

## System Diagram

# MAXHUB



\*Generator function is available in some market.

# Specifications

Model	HN3KS-AH2	HN3K6S-AH2	HN4KS-AH2	HN5KS-AH2	HN6KS-AH2
<b>PV Input</b>					
Max. PV Input Power(kW)	4.5	5.5	6	7.5	9
Max. PV Open Circuit Voltage(V)	550				
MPPT Range@Operating Voltage(VDC)	80~520				
Full Power MPPT Voltage Range(VDC)	117-500V	145-500V	158-500V	197-500V	250-500V
Start-up Voltage(VDC)	90				
Max. Input Current per MPPT(A)	19/19				
Max. Short-circuit Current(A)	25/25				
MPPT Tracker/Strings	2 / 1				
Nominal Input Voltage(V)	360				
<b>AC Output(On-Grid)</b>					
Nominal Output Power to Grid(kW)	3	3.68	4	5	6
Max. Apparent Power to Grid(kVA)	3	3.68	4	5	6
Max. Apparent Power from Grid(kVA)	3	3.68	4	5	6
Max. Apparent Current from Grid(A)	13.1	16	17.4	21.8	26.1
Nominal Output Current from Grid(A)	13.1	16	17.4	21.8	26.1
Max. Output Current to Grid(A)	13.1	16	17.4	21.8	26.1
Nominal Voltage/Frequency	230V(176V~280V), 50/60Hz, L+N+PE				
Adjustable Power Factor	0.8leading~0.8lagging				
THDI	<2%				
<b>AC Output(BackUp)</b>					
Nominal Output Power(kW)	3	3.68	4	5	6
Max. Apparent Power(kVA)	3	3.68	4	5	6
Nominal Output Current(A)	13.1	16	17.4	21.8	26.1
Max. Output Current(A)	13.1	16	17.4	21.8	26.1
Nominal Voltage/Frequency	230V(176V~238V), 50/60Hz, L+N+PE				
Automatic Switch Time(ms)	<20				
THDu	<2%				
Overload Capacity	110%,10s /130%,3s /150%,50ms				
<b>Efficiency</b>					
Max. Efficiency	96.65%				
Europe Efficiency	97.50%				
MPPT Efficiency	99.00%				
Max. Battery Charge/Discharge Efficiency	94.60%				
<b>Battery</b>					
BatteryVoltage Range(V)	40~60				
Recommended Battery Voltage(V)	48				
Max. Charging Voltage(V)	60				
Max. Charging/Discharging Current(A)	80/80	80/80	80/80	120/120	120/120
BatteryType	Lithium and Lead Acid Battery				
<b>Protection</b>					
DC Switch	Yes				
DC Reverse Polarity Protection	Yes				
DC/AC Surge Protection	Type III/Type III				
AC Overvoltage Protection	Yes				
AC Short-circuit Protection	Yes				
Ground Fault Monitoring	Yes				
Anti-islanding Protection	Yes				
Residual-current Monitoring	Yes				
Insulation Resistance Monitoring	Yes				
Peak/Valley Time Setting	Yes				
<b>General Data</b>					
HMI	LCD & APP				
BMS	RS485; CAN				
EMS/Meter	RS485				
Communication	WiF/LAN				
Ingress Protection	IP66				
Operating Temperature Range	-25~60 °C				
Relative Humidity	0~95%(Non-condensing)				
Max. Operating Altitude	4000m(Derating above 3000m)				
Cooling	Natural				
Noise Emission	≤ 29dB				
Dimensions(W*H*D)	486*528*230mm				
Net Weight(kg)	23.5	23.5	23.5	24	24
Self-consumption(W)	<15				
<b>Standard Compliance</b>					
Safety Regulation	IEC/EN62109-1/-2				
EMC	IEC/EN61000-6-1/-2/-3/-4				
GridRegulation	IEC61727; Europe: EN50549; Belgium: C10/11; Spain: NTS-631; Italy: CEI 021				